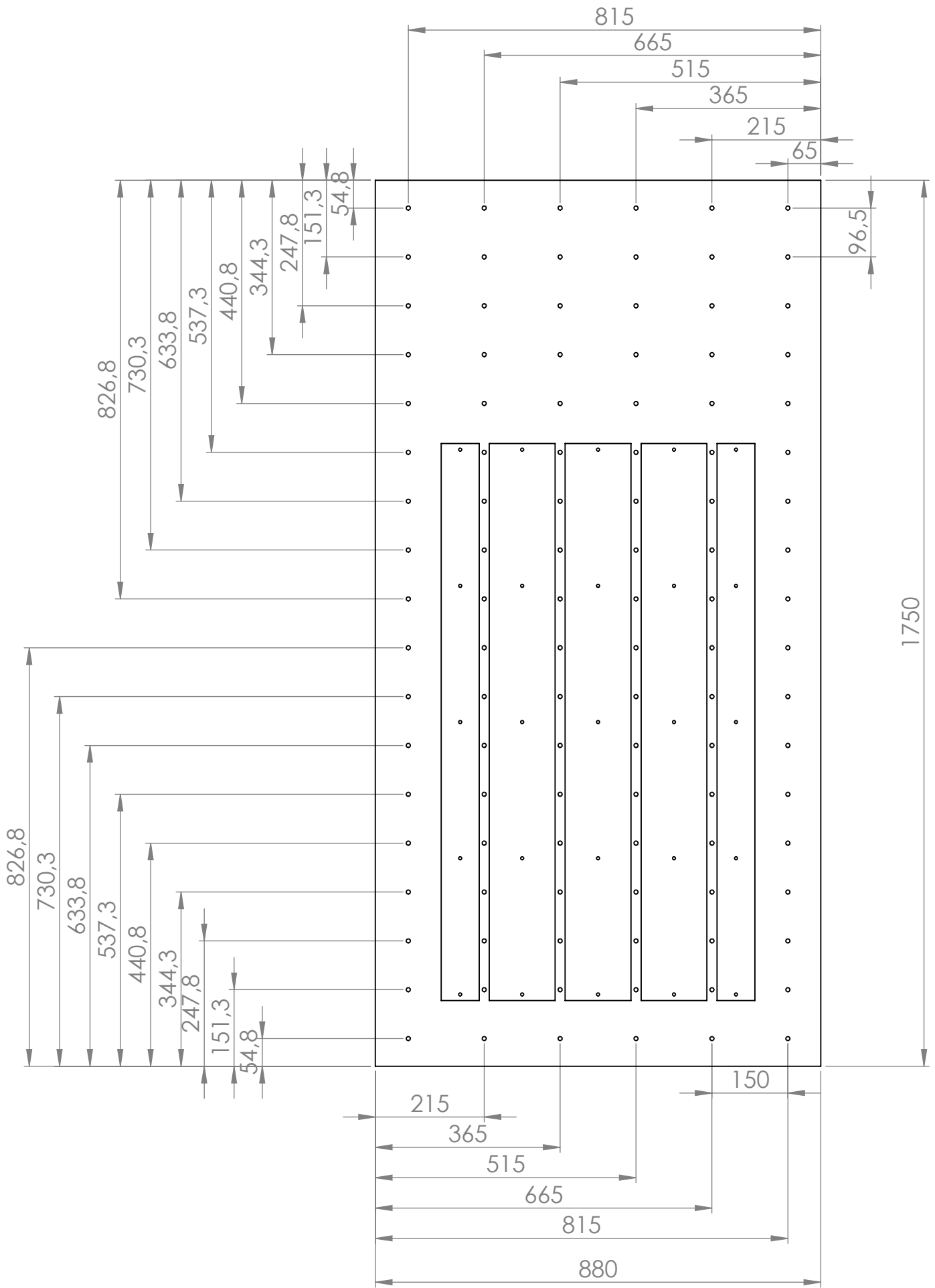


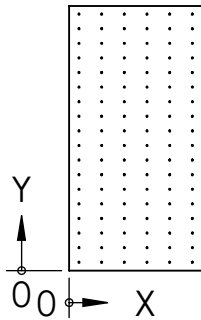
ITEM NO.	PART NUMBER	DESCRIPTION	QTY.
1	pöydän-alalevy	956 x 1750 x 19	1
2	pöytä- korokepystypala	180 x 1750 x 19	4
3	pöytä-pitkittäistuki	100x1750x19	7
4	pöytä- poikkitukipala	124,5x100x12	60
5	pöydän-päällilevy	880 x 1750 x 19	1
6	pöytä-koro- kiskoalus	50 x 1750 x 19	2
7	linearikisko SBR16_1400mm		2
8	hukkapala		2
9	hukkapala		3

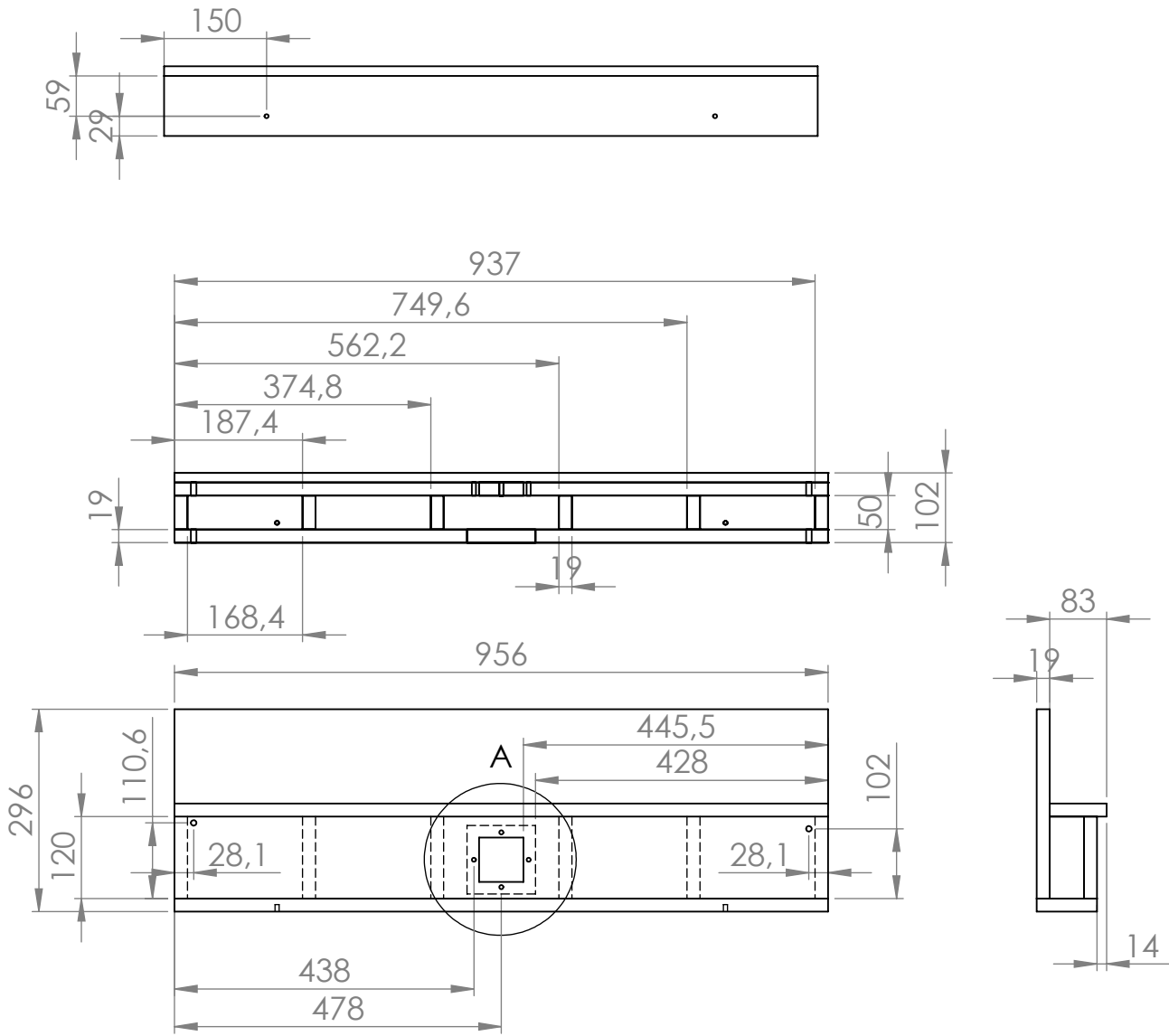


TAG	X LOC	Y LOC	SIZE
A1	65	54.75	Ø 8 THRU ALL
A2	65	151.25	Ø 8 THRU ALL
A3	65	247.75	Ø 8 THRU ALL
A4	65	344.25	Ø 8 THRU ALL
A5	65	440.75	Ø 8 THRU ALL
A6	65	537.25	Ø 8 THRU ALL
A7	65	633.75	Ø 8 THRU ALL
A8	65	730.25	Ø 8 THRU ALL
A9	65	826.75	Ø 8 THRU ALL
A10	65	923.25	Ø 8 THRU ALL
A11	65	1019.75	Ø 8 THRU ALL
A12	65	1116.25	Ø 8 THRU ALL
A13	65	1212.75	Ø 8 THRU ALL
A14	65	1309.25	Ø 8 THRU ALL
A15	65	1405.75	Ø 8 THRU ALL
A16	65	1502.25	Ø 8 THRU ALL
A17	65	1598.75	Ø 8 THRU ALL
A18	65	1695.25	Ø 8 THRU ALL
A19	215	54.75	Ø 8 THRU ALL
A20	215	151.25	Ø 8 THRU ALL
A21	215	247.75	Ø 8 THRU ALL
A22	215	344.25	Ø 8 THRU ALL
A23	215	440.75	Ø 8 THRU ALL
A24	215	537.25	Ø 8 THRU ALL
A25	215	633.75	Ø 8 THRU ALL
A26	215	730.25	Ø 8 THRU ALL
A27	215	826.75	Ø 8 THRU ALL
A28	215	923.25	Ø 8 THRU ALL
A29	215	1019.75	Ø 8 THRU ALL
A30	215	1116.25	Ø 8 THRU ALL
A31	215	1212.75	Ø 8 THRU ALL
A32	215	1309.25	Ø 8 THRU ALL
A33	215	1405.75	Ø 8 THRU ALL
A34	215	1502.25	Ø 8 THRU ALL
A35	215	1598.75	Ø 8 THRU ALL
A36	215	1695.25	Ø 8 THRU ALL
A37	365	54.75	Ø 8 THRU ALL
A38	365	151.25	Ø 8 THRU ALL
A39	365	247.75	Ø 8 THRU ALL
A40	365	344.25	Ø 8 THRU ALL
A41	365	440.75	Ø 8 THRU ALL
A42	365	537.25	Ø 8 THRU ALL
A43	365	633.75	Ø 8 THRU ALL
A44	365	730.25	Ø 8 THRU ALL
A45	365	826.75	Ø 8 THRU ALL
A46	365	923.25	Ø 8 THRU ALL
A47	365	1019.75	Ø 8 THRU ALL
A48	365	1116.25	Ø 8 THRU ALL
A49	365	1212.75	Ø 8 THRU ALL
A50	365	1309.25	Ø 8 THRU ALL

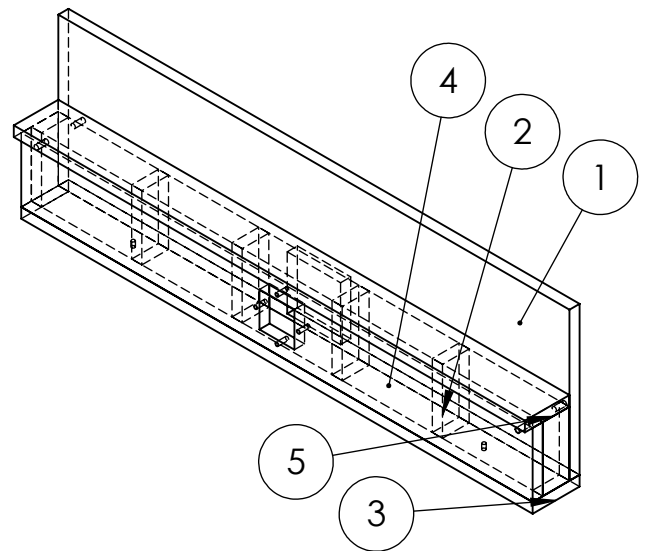
TAG	X LOC	Y LOC	SIZE
A51	365	1405.75	Ø 8 THRU ALL
A52	365	1502.25	Ø 8 THRU ALL
A53	365	1598.75	Ø 8 THRU ALL
A54	365	1695.25	Ø 8 THRU ALL
A55	515	54.75	Ø 8 THRU ALL
A56	515	151.25	Ø 8 THRU ALL
A57	515	247.75	Ø 8 THRU ALL
A58	515	344.25	Ø 8 THRU ALL
A59	515	440.75	Ø 8 THRU ALL
A60	515	537.25	Ø 8 THRU ALL
A61	515	633.75	Ø 8 THRU ALL
A62	515	730.25	Ø 8 THRU ALL
A63	515	826.75	Ø 8 THRU ALL
A64	515	923.25	Ø 8 THRU ALL
A65	515	1019.75	Ø 8 THRU ALL
A66	515	1116.25	Ø 8 THRU ALL
A67	515	1212.75	Ø 8 THRU ALL
A68	515	1309.25	Ø 8 THRU ALL
A69	515	1405.75	Ø 8 THRU ALL
A70	515	1502.25	Ø 8 THRU ALL
A71	515	1598.75	Ø 8 THRU ALL
A72	515	1695.25	Ø 8 THRU ALL
A73	665	54.75	Ø 8 THRU ALL
A74	665	151.25	Ø 8 THRU ALL
A75	665	247.75	Ø 8 THRU ALL
A76	665	344.25	Ø 8 THRU ALL
A77	665	440.75	Ø 8 THRU ALL
A78	665	537.25	Ø 8 THRU ALL
A79	665	633.75	Ø 8 THRU ALL
A80	665	730.25	Ø 8 THRU ALL
A81	665	826.75	Ø 8 THRU ALL
A82	665	923.25	Ø 8 THRU ALL
A83	665	1019.75	Ø 8 THRU ALL
A84	665	1116.25	Ø 8 THRU ALL
A85	665	1212.75	Ø 8 THRU ALL
A86	665	1309.25	Ø 8 THRU ALL
A87	665	1405.75	Ø 8 THRU ALL
A88	665	1502.25	Ø 8 THRU ALL
A89	665	1598.75	Ø 8 THRU ALL
A90	665	1695.25	Ø 8 THRU ALL
A91	815	54.75	Ø 8 THRU ALL
A92	815	151.25	Ø 8 THRU ALL
A93	815	247.75	Ø 8 THRU ALL
A94	815	344.25	Ø 8 THRU ALL
A95	815	440.75	Ø 8 THRU ALL
A96	815	537.25	Ø 8 THRU ALL
A97	815	633.75	Ø 8 THRU ALL
A98	815	730.25	Ø 8 THRU ALL
A99	815	826.75	Ø 8 THRU ALL
A100	815	923.25	Ø 8 THRU ALL

TAG	X LOC	Y LOC	SIZE
A101	815	1019.75	Ø 8 THRU ALL
A102	815	1116.25	Ø 8 THRU ALL
A103	815	1212.75	Ø 8 THRU ALL
A104	815	1309.25	Ø 8 THRU ALL
A105	815	1405.75	Ø 8 THRU ALL
A106	815	1502.25	Ø 8 THRU ALL
A107	815	1598.75	Ø 8 THRU ALL
A108	815	1695.25	Ø 8 THRU ALL

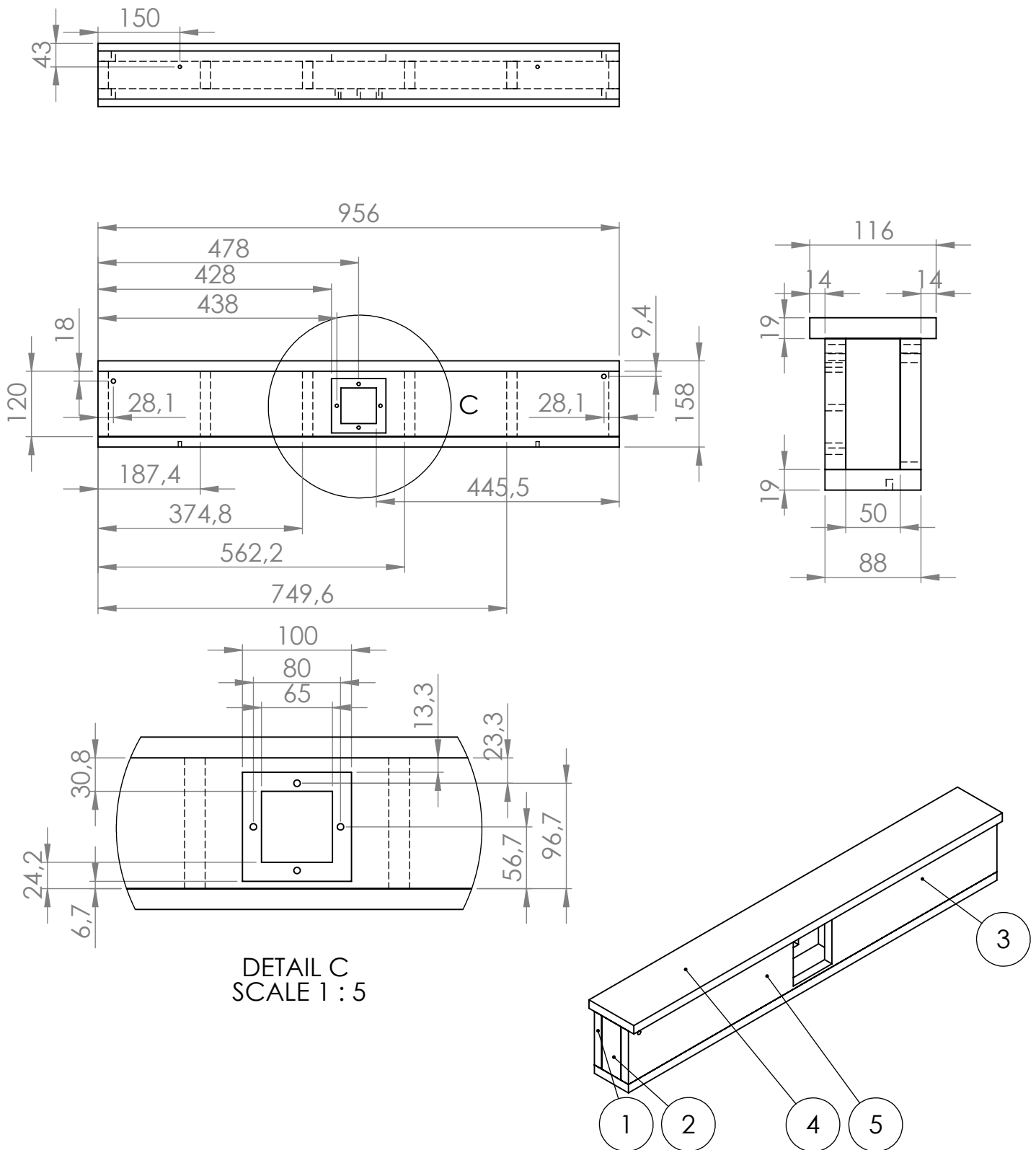




DETAIL A
SCALE 1 : 5



ITEM NO.	PART NUMBER	DESCRIPTION	QTY.
1	alajalka1-takalevy	277 x 956 x 19	1
2	alajalka1-pystytuki	50 x 120 x 19	6
3	alajalka1-alalevy	88 x 956 x 19	1
4	alajalka1-etulevy	120 x 956 x 19	1
5	alajalka1-päällilevy	83 x 956 x 19	1



ITEM NO.	PART NUMBER	DESCRIPTION	QTY.
1	alajalka2-takalevy	956 x 120 x 19	1
2	alajalka1-pystytuki	50 x 120 x 19	6
3	alajalka1-alalevy	88 x 956 x 19	1
4	alajalka2-päällilevy	116 x 956 x 19	1
5	alajalka2-etulevy	120 x 956 x 19	1

